

**Ergo
Mover**

Pat. Pending

A GOOD WORKING ENVIRONMENT >> LESS DAMAGE TO MATERIALS >> SATISFIED EMPLOYEES >> STRONG BACKS >> FASTER INSTALLATION...

ErgoMover 1500 - a transport trolley available with several options: Either as a Basic or Standard trolley with or without hydraulic lifting system, or as a Manipulator with 90° tilt which allows tilting a full load of plasterboard from horizontal to vertical position. Building materials weighing up to 1.500 kg can be transported around the building site while improving your bottom line, because your employees will be happier and more efficient.

WWW.ERGOMOVER.DK

ERGOMOVER - STANDARD W/HYDRAULIC

A powerful all-terrain trolley equipped with electric motor and hydraulic lifting and lowering function. The hydraulic lifting system, makes it possible to set of loads of e.g. dry wall elements on trestles.

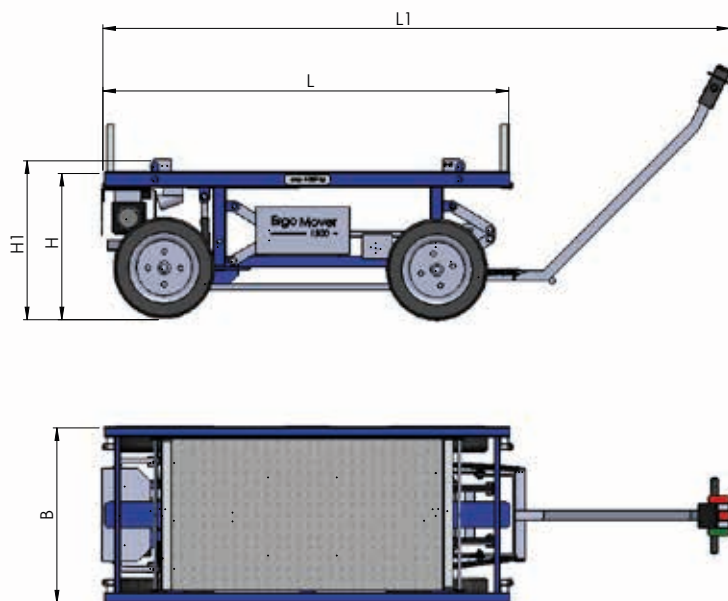
The trolley has a capacity of 1.500 kg and has a width of only 690 mm. Equipped with hydraulic lifting and lowering table ErgoMover has a lift height of 600 mm to 750 mm. In addition it is possible to get the ErgoMover 1500 - Standard with a factory mounted table for 360 degrees continuous turning.

The trolley was developed in cooperation with professional users and meets all requirements for safe and reliable operation.



ERGOMOVER 1500 - STANDARD SPECIFICATIONS

Lifting capacity	1.500 kg
Max. driving speed	6 km /h
Speed control	Stepless
Wheels	(Option) Foam filled tires
Voltage	24 volt
Charger	Integrated 230 volt (110 volt)
Liftingfunction	Electro-hydraulic
External length (without handle) (L)	1.645 mm
Internal length (with handle) (L1)	3.050 - 3.150 mm
External width (B)	700 mm
Height (H)	570 mm
Height (H1)	575 - 595 mm
Weight	250 kg



ERGOMOVER 1500 - available in three different models:

ErgoMover 1500 - Basic

A powerful transport trolley without hydraulic functions for applications that only requires transport of materials. Equipped with all-terrain electric motor and 4-wheelsteering, the trolley is ideal for construction sites.



ErgoMover 1500 - Standard

A transport trolley equipped with all-terrain electric motor and 4-wheelsteering and with a hydraulic lifting system, making it possible to set of loads of e.g. dry wall elements on trestles.

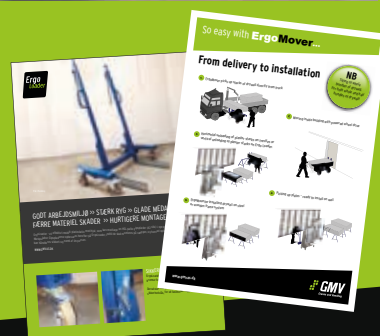


ErgoMover 1500 - Manipulator

For installing of dry wall elements and is as standard equipped with both hydraulic lifting function and hydraulic tilting function. Used along with the ErgoLoader and the ErgoMounter you can bring drywalls all the way from the truck to the wall - without straining the back.



To learn more about GMV ErgoMover 1500 - Manipulator, ErgoLoader and ErgoMounter please contact your dealer or read more on www.ergomover.dk or scan the QR-code.



Dealer:

GMV A/S (SOUTH)
INDUSTRI-PARKEN 1
DK - 7182 BREDSTEN

GMV A/S (NORTH)
INDUSTRIVEJ 10
DK - 7620 LEMVIG

TEL +45 7573 8247
CVR DK 21801283
WWW.GMVAS.DK
WWW.WINLET.DK
WWW.ERGOMOVER.DK

GMV
Cranes and Handling